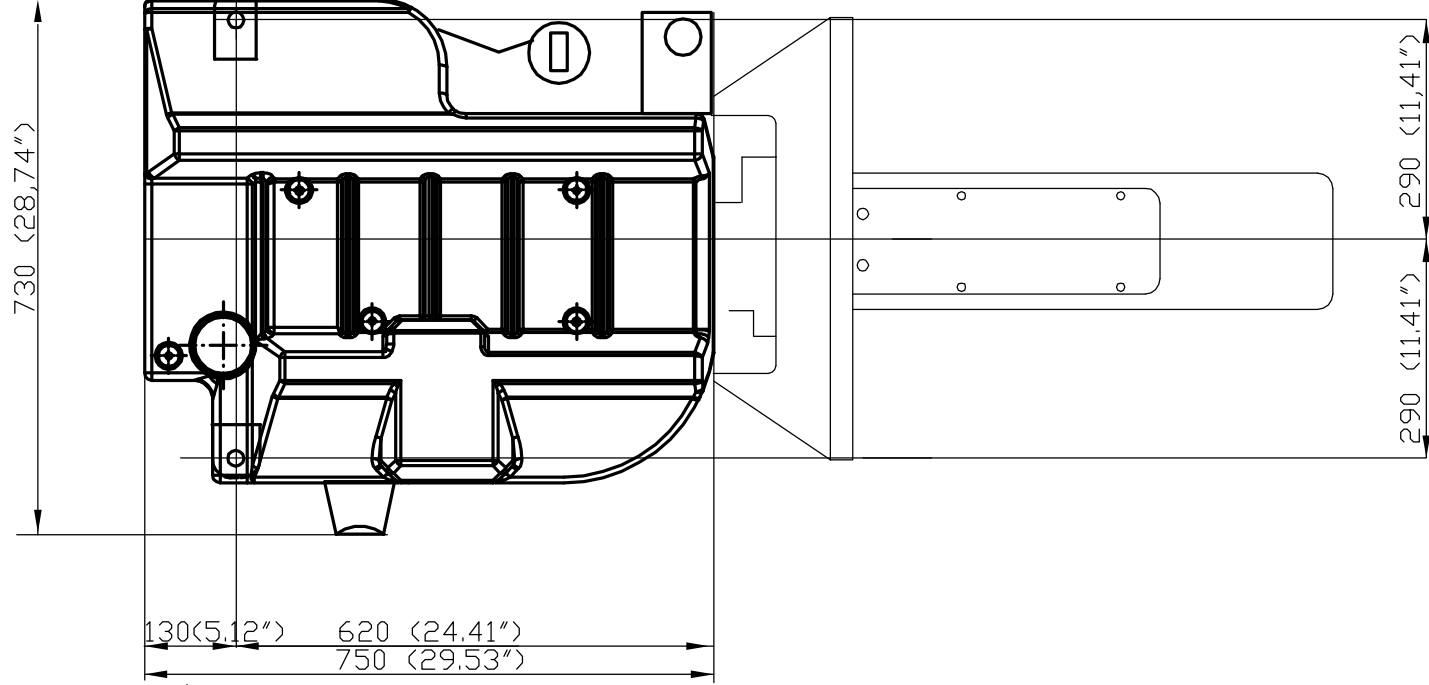
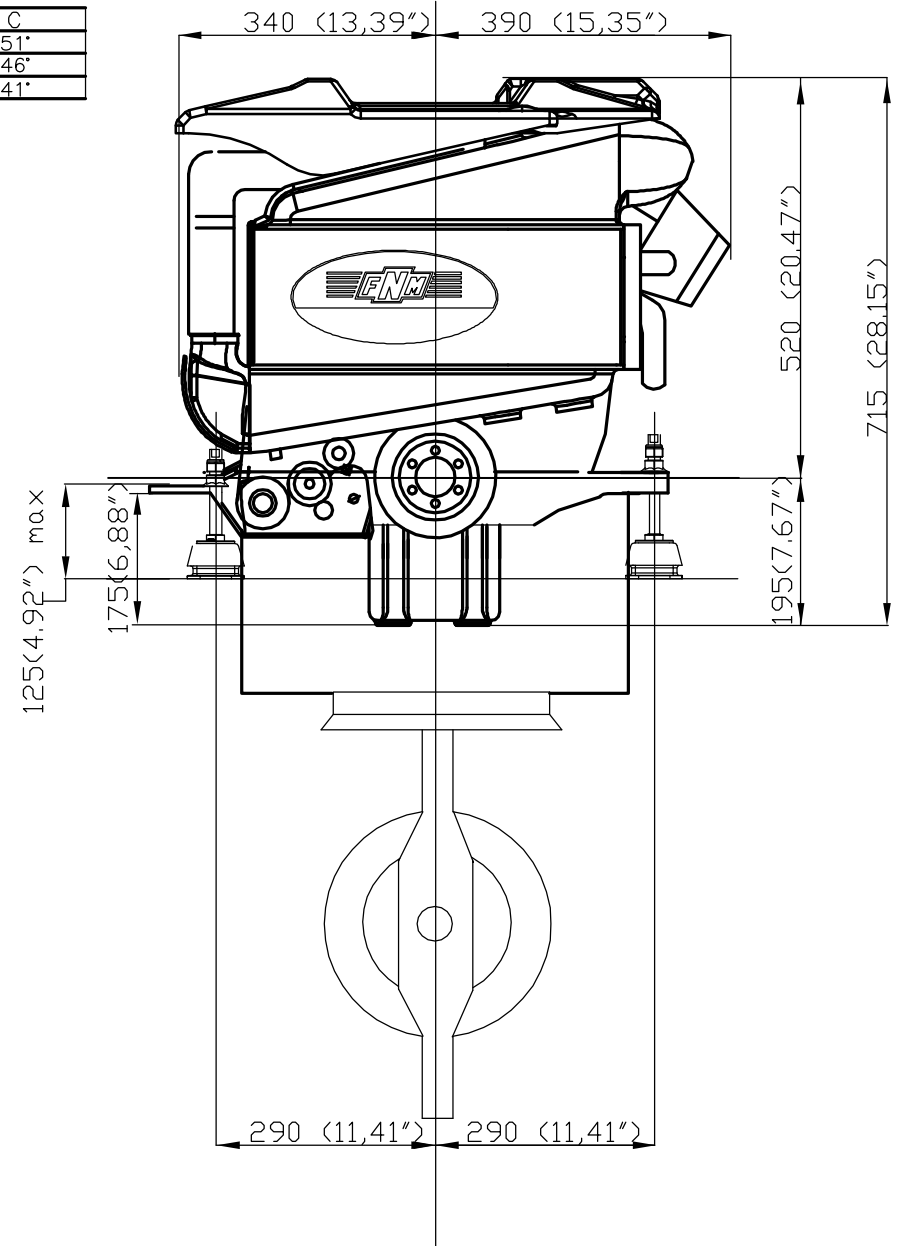
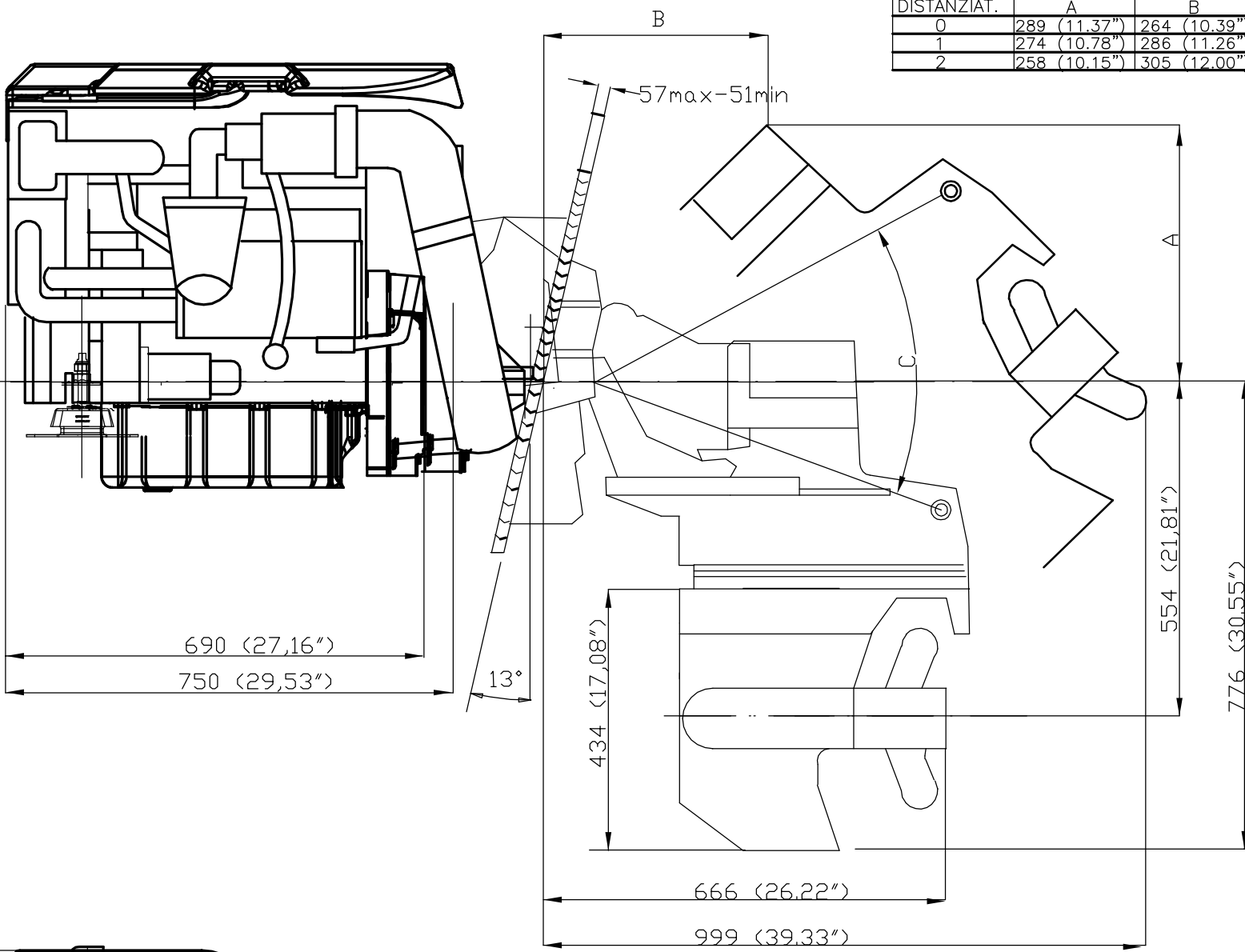


A
B
C
D
E

DISTANZIAT.	A	B	C
0	289 (11.37")	264 (10.39")	51"
1	274 (10.78")	286 (11.26")	46"
2	258 (10.15")	305 (12.00")	41"



N.	N.Mod.	Date	Change request	Signature

<p>All proprietary rights reserved by C.M.D. s.r.l. This drawing shall not be reproduced or in any way utilized for the manufacture of the component or unit herein illustrated and must not be released to other parties without written consent. Any infringement will be legally pursued.</p>		<p>Drawn</p>	<p>Date 03/07</p>	<p>Name ARCIERI</p>	<p>Signature</p>																																																				
<p>Proprieta' della C.M.D. s.r.l. Senza autorizzazione scritta della stessa, il presente disegno non potra' essere comunque utilizzato per la costruzione dell'oggetto rappresentato ne' venire comunicato a terzi o riprodotto. La societa' proprietaria tutela i propri diritti a rigore di legge.</p>		<p>Checked</p>	<table border="1"> <thead> <tr> <th>DIM.</th> <th>0</th> <th>6</th> <th>30</th> <th>120</th> <th>315</th> <th>1000</th> <th>2000</th> <th>0</th> <th>6</th> <th>30</th> <th>120</th> <th>315</th> </tr> </thead> <tbody> <tr> <td>GROS.</td> <td>±0.2</td> <td>±0.5</td> <td>±0.8</td> <td>±1.2</td> <td>±2.0</td> <td>±3.0</td> <td>±1'</td> <td>±30'</td> <td>±20'</td> <td>±10'</td> <td> </td> <td> </td> </tr> <tr> <td>MED.</td> <td>±0.1</td> <td>±0.2</td> <td>±0.3</td> <td>±0.5</td> <td>±0.8</td> <td>±1.2</td> <td>±1'</td> <td>±30'</td> <td>±20'</td> <td>±10'</td> <td> </td> <td> </td> </tr> <tr> <td>PREC.</td> <td>±0.05</td> <td>±0.1</td> <td>±0.15</td> <td>±0.2</td> <td>±0.3</td> <td>±0.5</td> <td> </td> <td> </td> <td> </td> <td> </td> <td> </td> <td> </td> </tr> </tbody> </table>			DIM.	0	6	30	120	315	1000	2000	0	6	30	120	315	GROS.	±0.2	±0.5	±0.8	±1.2	±2.0	±3.0	±1'	±30'	±20'	±10'			MED.	±0.1	±0.2	±0.3	±0.5	±0.8	±1.2	±1'	±30'	±20'	±10'			PREC.	±0.05	±0.1	±0.15	±0.2	±0.3	±0.5						
DIM.	0	6	30	120	315	1000	2000	0	6	30	120	315																																													
GROS.	±0.2	±0.5	±0.8	±1.2	±2.0	±3.0	±1'	±30'	±20'	±10'																																															
MED.	±0.1	±0.2	±0.3	±0.5	±0.8	±1.2	±1'	±30'	±20'	±10'																																															
PREC.	±0.05	±0.1	±0.15	±0.2	±0.3	±0.5																																																			
<p>CMD COSTRUZIONI MOTORI DIESEL ATELLA (Potenza) - ITALY</p>		<p>Assembly</p>			<p>Part name DIMENSIONALE MOTORE HPEP 170 CON BRAVO 1</p>	<p>Scale 1:10</p>																																																			
<p>FILE HPEP 170</p>					<p>Sheet N. 1</p>																																																				
<p>N. Sheets 1</p>					<p>1</p>																																																				