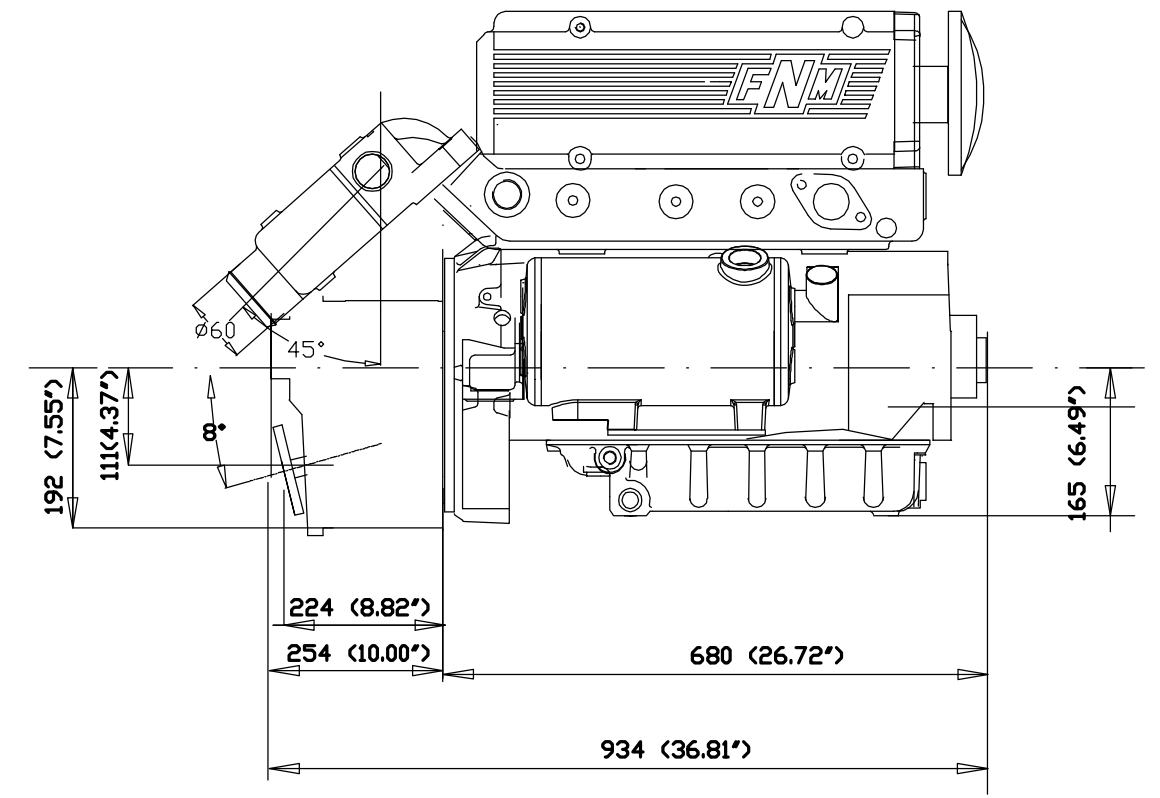
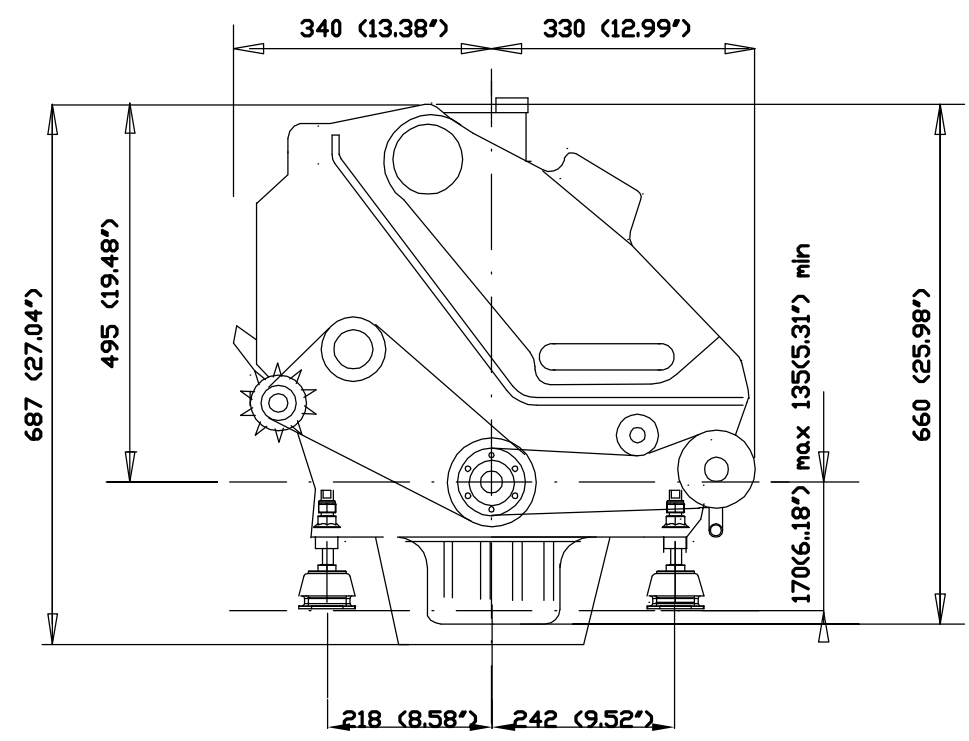
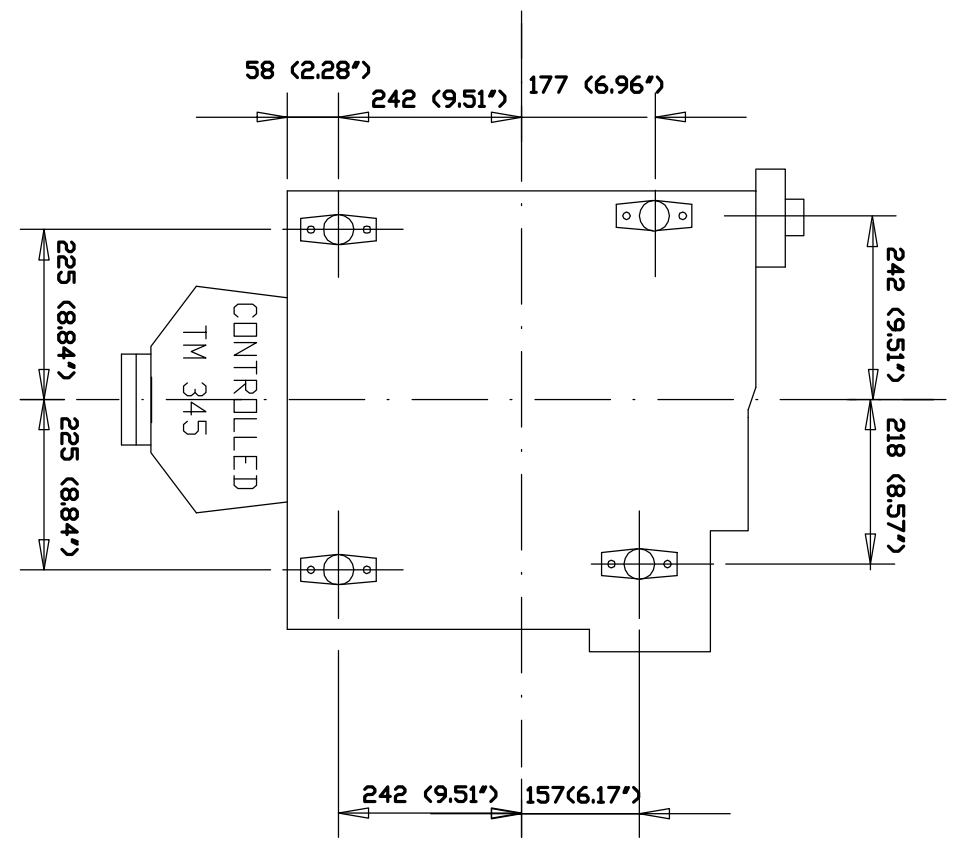


A
B
C
D
E



N.	N.Mod.	Date	Change request	Signature																																																
<p>All proprietary rights reserved by C.M.D. s.r.l. This drawing shall not be reproduced or in any way utilized for the manufacture of the component or unit herein illustrated and must not be released to other parties without written consent. Any infringement will be legally pursued.</p>		<p>Drawn Date 03/07 Name ARCIERI Signature</p>	<p>Checked</p>																																																	
<p>Proprietà della C.M.D. s.r.l. Senza autorizzazione scritta della stessa, il presente disegno non potrà essere comunque utilizzato per la costruzione dell'oggetto rappresentato né venire comunicato a terzi o riprodotto. La società proprietaria tutela i propri diritti a rigore di legge.</p>		<p>Tollerances UNI 5307-63</p> <table border="1"> <tr> <td>DIM.</td> <td>0</td> <td>6</td> <td>30</td> <td>120</td> <td>315</td> <td>1000</td> <td>0</td> <td>6</td> <td>30</td> <td>120</td> <td>315</td> </tr> <tr> <td>GROS.</td> <td>±0.2</td> <td>±0.5</td> <td>±0.8</td> <td>±1.2</td> <td>±2.0</td> <td>±3.0</td> <td></td> <td></td> <td></td> <td></td> <td></td> </tr> <tr> <td>MED.</td> <td>±0.1</td> <td>±0.2</td> <td>±0.3</td> <td>±0.5</td> <td>±0.8</td> <td>±1.2</td> <td>±1'</td> <td>±30'</td> <td>±20'</td> <td>±10'</td> <td></td> </tr> <tr> <td>PREC.</td> <td>±0.05</td> <td>±0.1</td> <td>±0.15</td> <td>±0.2</td> <td>±0.3</td> <td>±0.5</td> <td></td> <td></td> <td></td> <td></td> <td></td> </tr> </table>	DIM.	0	6	30	120	315	1000	0	6	30	120	315	GROS.	±0.2	±0.5	±0.8	±1.2	±2.0	±3.0						MED.	±0.1	±0.2	±0.3	±0.5	±0.8	±1.2	±1'	±30'	±20'	±10'		PREC.	±0.05	±0.1	±0.15	±0.2	±0.3	±0.5						<p>Part name DIMENSIONAL ENGINE AM 60</p>	<p>Scale 1:10</p>
DIM.	0	6	30	120	315	1000	0	6	30	120	315																																									
GROS.	±0.2	±0.5	±0.8	±1.2	±2.0	±3.0																																														
MED.	±0.1	±0.2	±0.3	±0.5	±0.8	±1.2	±1'	±30'	±20'	±10'																																										
PREC.	±0.05	±0.1	±0.15	±0.2	±0.3	±0.5																																														
<p>COSTRUZIONI MOTORI DIESEL</p>		<p>ATELLA (Potenza) - ITALY</p>	<p>Assembly</p>	<p>FILE</p>	<p>Sheet N. 1</p> <p>N. Sheets 1</p>																																															