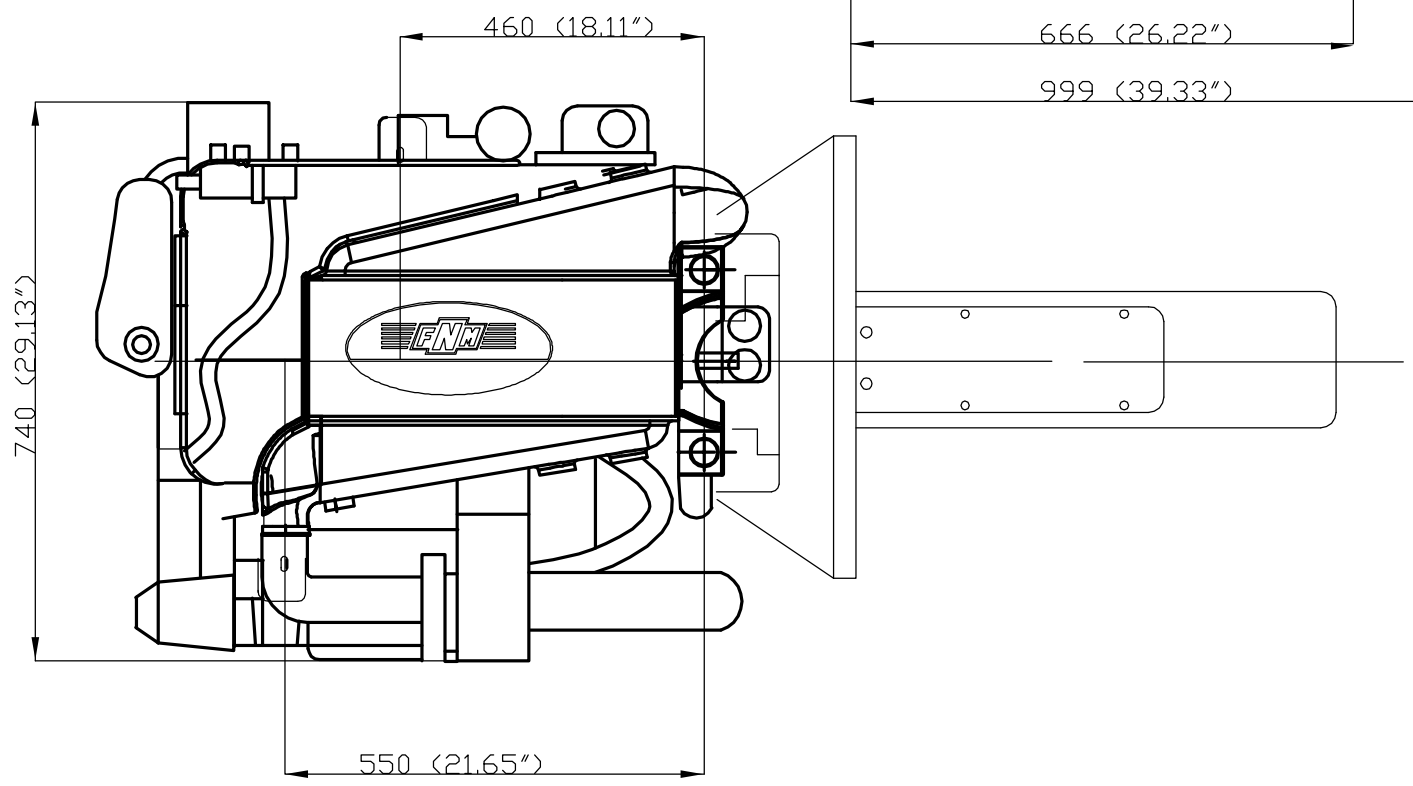
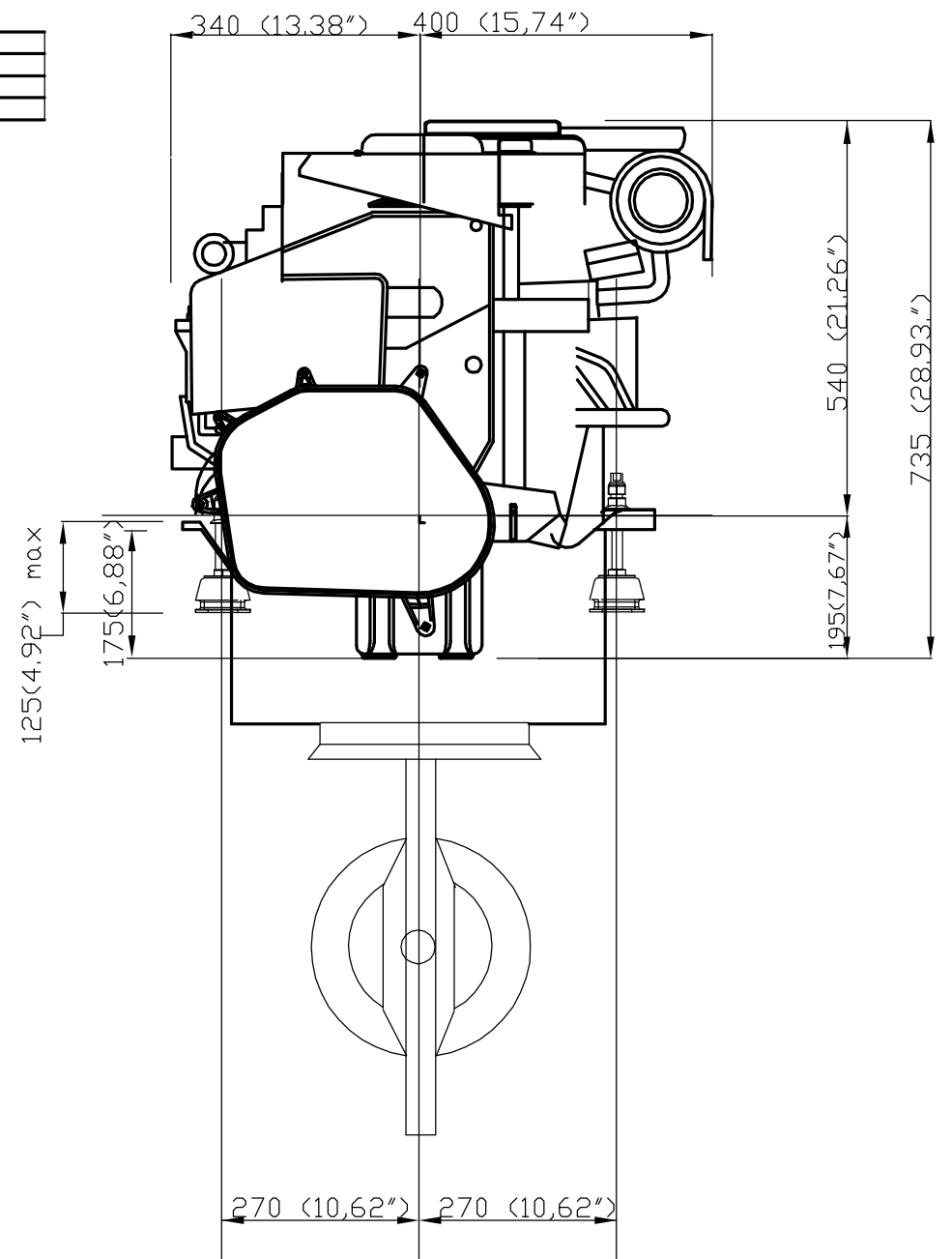
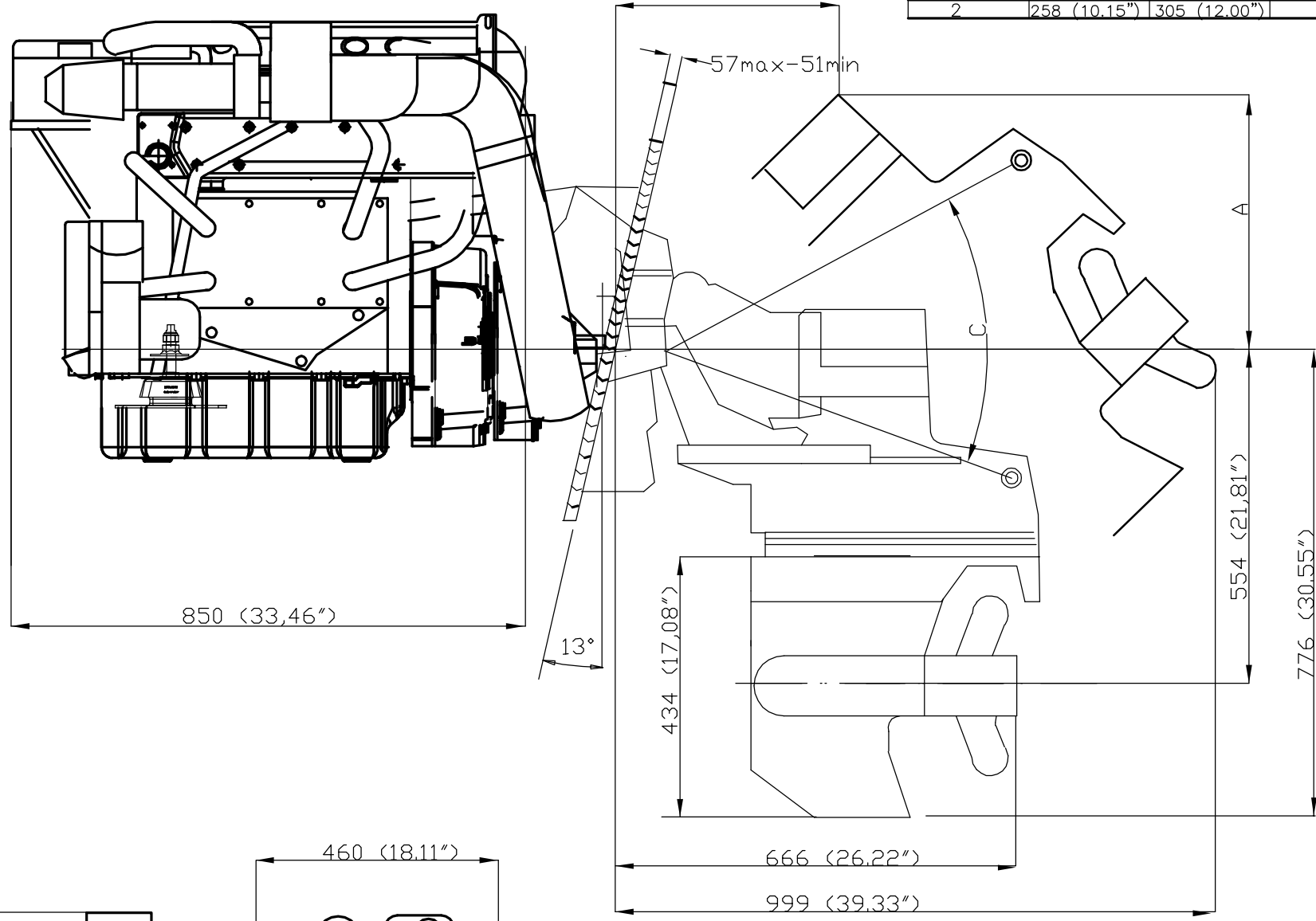


DISTANZIAT.	A	B	C
0	289 (11.37")	264 (10.39")	51"
1	274 (10.78")	286 (11.26")	46"
2	258 (10.15")	305 (12.00")	41"



N.	N.Mod.	Date	Change request		Signature																																																						
<small>All proprietary rights reserved by C.M.D. s.r.l. This drawing shall not be reproduced or in any way utilized for the manufacture of the component or unit herein illustrated and must not be released to other parties without written consent. Any infringement will be legally pursued.</small>			Drawn Checked	Date 03/07	Name ARCIERI	Signature																																																					
<small>Proprietà della C.M.D. s.r.l. Senza autorizzazione scritta della stessa, il presente disegno non potrà essere comunque utilizzato per la costruzione dell'oggetto rappresentato né venire comunicato a terzi o riprodotto. La società proprietaria tutela i propri diritti a rigore di legge.</small>			Tollerances UNI 5307-63	<table border="1"> <tr> <th>DIM.</th> <th>0</th> <th>6</th> <th>30</th> <th>120</th> <th>315</th> <th>1000</th> <th>2000</th> <th>0</th> <th>6</th> <th>30</th> <th>120</th> <th>315</th> </tr> <tr> <td>GROS.</td> <td>±0.2</td> <td>±0.5</td> <td>±0.8</td> <td>±1.2</td> <td>±2.0</td> <td>±3.0</td> <td> </td> <td> </td> <td> </td> <td> </td> <td> </td> <td> </td> </tr> <tr> <td>MED.</td> <td>±0.1</td> <td>±0.2</td> <td>±0.3</td> <td>±0.5</td> <td>±0.8</td> <td>±1.2</td> <td>±1'</td> <td>±30'</td> <td>±20'</td> <td>±10'</td> <td> </td> <td> </td> </tr> <tr> <td>PREC.</td> <td>±0.05</td> <td>±0.1</td> <td>±0.15</td> <td>±0.2</td> <td>±0.3</td> <td>±0.5</td> <td> </td> <td> </td> <td> </td> <td> </td> <td> </td> <td> </td> </tr> </table>	DIM.	0	6	30	120	315	1000	2000	0	6	30	120	315	GROS.	±0.2	±0.5	±0.8	±1.2	±2.0	±3.0							MED.	±0.1	±0.2	±0.3	±0.5	±0.8	±1.2	±1'	±30'	±20'	±10'			PREC.	±0.05	±0.1	±0.15	±0.2	±0.3	±0.5							Assembly	Part name DIMENSIONALE MOTORE HPEP 225 20V CON BRAVO 1	Scale 1:10
DIM.	0	6	30	120	315	1000	2000	0	6	30	120	315																																															
GROS.	±0.2	±0.5	±0.8	±1.2	±2.0	±3.0																																																					
MED.	±0.1	±0.2	±0.3	±0.5	±0.8	±1.2	±1'	±30'	±20'	±10'																																																	
PREC.	±0.05	±0.1	±0.15	±0.2	±0.3	±0.5																																																					
COSTRUZIONI MOTORI DIESEL ATELLA (Potenza) - ITALY				FILE HPEP 225 20v	Sheet N. 1 N. Sheets 1																																																						