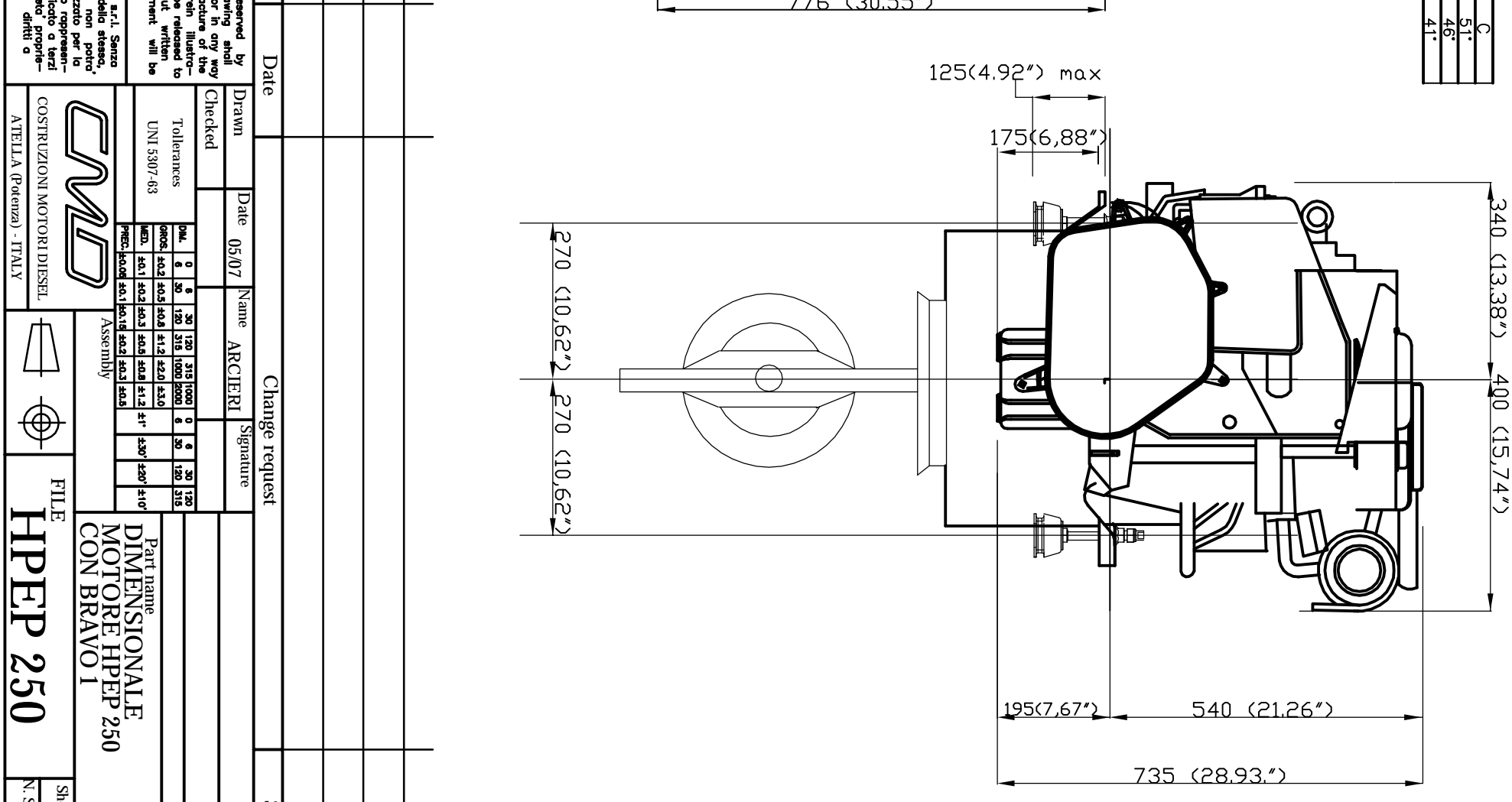
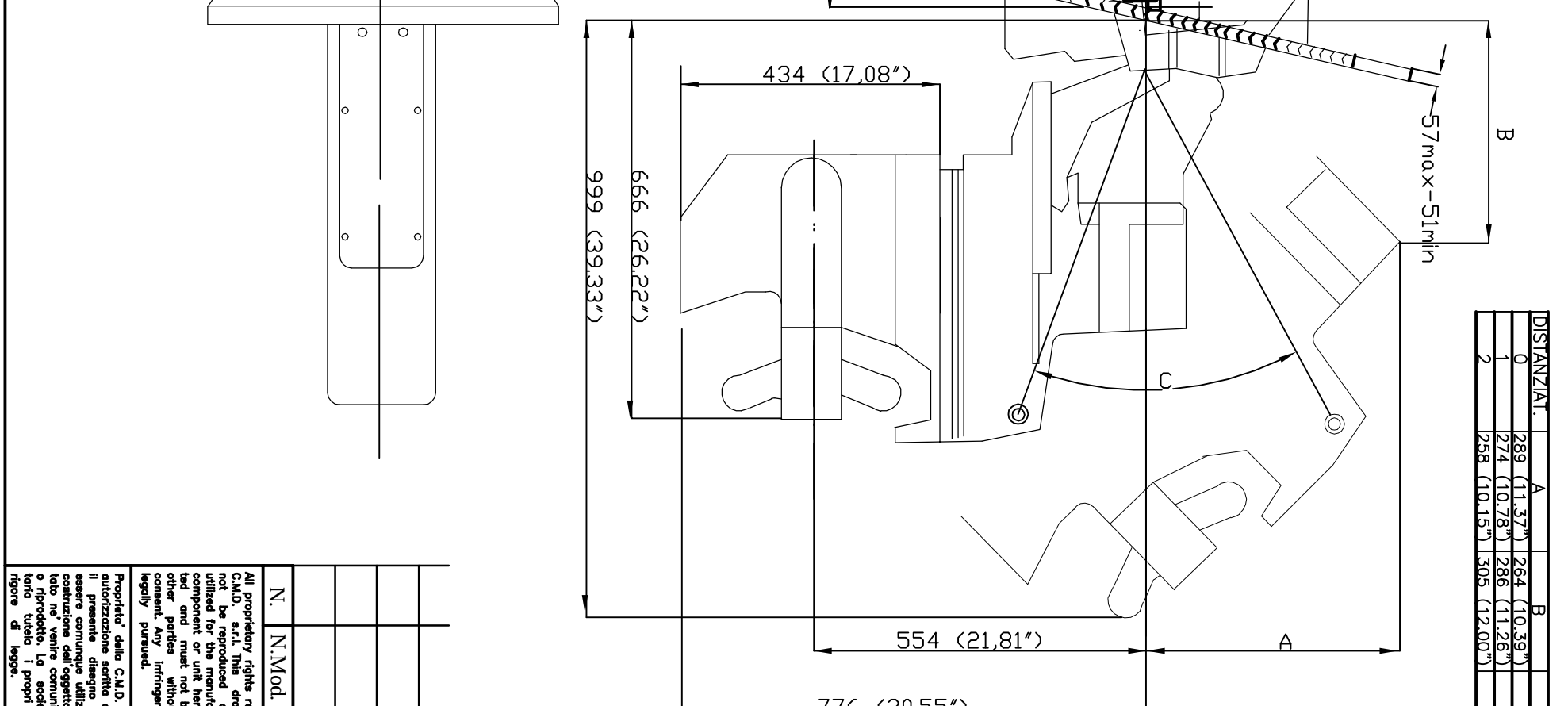
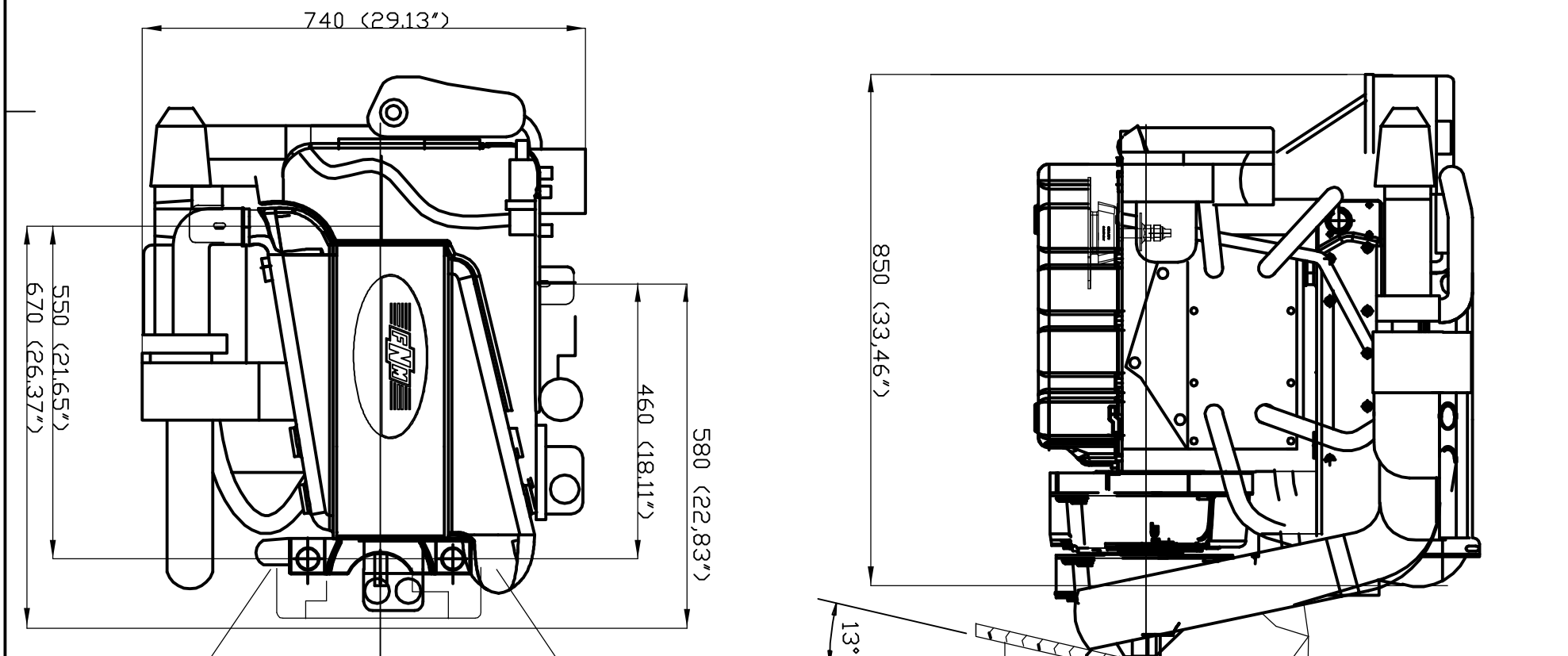


1 2 3 4 5 6 7 8



N.	N.Mod.	Date	Change request	Signature

Drawn	Date	05/07	Name	ARCIERI	Signature
Checked					

Tollerances	UNI 5307-63
Dim.	0 0 30 120 315 1000 0 0 30 120
0	±0.05 ±0.08 ±0.12 ±0.20 ±0.30
30	±0.1 ±0.15 ±0.2 ±0.3 ±0.4
120	±0.15 ±0.2 ±0.3 ±0.4 ±0.5
315	±0.2 ±0.3 ±0.4 ±0.5 ±0.6
1000	±0.3 ±0.4 ±0.5 ±0.6 ±0.8
0	±0.05 ±0.1 ±0.15 ±0.2 ±0.3
30	±0.1 ±0.15 ±0.2 ±0.3 ±0.4
120	±0.15 ±0.2 ±0.3 ±0.4 ±0.5
315	±0.2 ±0.3 ±0.4 ±0.5 ±0.6

Part name	DIMENSIONALE
	MOTORE HPEP 250
	CON BRAVO 1
Scale	1:10

FILE	HPEP 250
Sheet N.	1
N. Sheets	1

All proprietary rights reserved by C.A.M.D. s.r.l. This drawing shall not be reproduced or in any way utilized for the manufacture of the component or unit herein illustrated and must not be released to other parties without written consent. Any infringement will be legally pursued.

Proprietà della C.A.M.D. s.r.l. Senza autorizzazione scritta della stessa, il presente disegno non potrà essere comunque utilizzato per la costruzione dell'oggetto rappresentato né venire comunicato a terzi o riprodotto. La società proprietaria tutela i propri diritti a figure di legge.